

# Product data sheet

Specifications



## Photoelectric sensors XU, XUK, diffuse, Sn 1 m, 12...24 VDC, cable 5 m

XUK5APANL5

### Main

Range of product	Telemecanique Photoelectric sensors XU
Series name	General purpose single mode
Electronic sensor type	Photo-electric sensor
Sensor name	XUK
Sensor design	Compact 50 x 50
Detection system	Diffuse
Material	Plastic
Type of output signal	Discrete
Supply circuit type	DC
Wiring technique	3-wire
Discrete output type	PNP
Discrete output function	1 NO
Electrical connection	Cable
Cable length	5 m
Product specific application	-
Emission	Infrared diffuse
[Sn] nominal sensing distance	1 m diffuse

### Complementary

Enclosure material	PBT
Lens material	PMMA
Maximum sensing distance	1.5 m diffuse
Output type	Solid state
Wire insulation material	PVC
Status LED	1 LED (yellow) for output state
[Us] rated supply voltage	12...24 V DC
Switching capacity in mA	<= 100 mA (overload and short-circuit protection)
Switching frequency	<= 250 Hz
Maximum voltage drop	<1.5 V (closed state)

Disclaimer: This documentation is not intended as a substitute for and is not to be used for determining suitability or reliability of these products for specific user applications

<b>Current consumption</b>	<= 35 mA no-load
<b>Maximum delay first up</b>	15 ms
<b>Maximum delay response</b>	2 ms
<b>Maximum delay recovery</b>	2 ms
<b>Setting-up</b>	Without sensitivity adjustment
<b>Depth</b>	50 mm
<b>Height</b>	50 mm
<b>Width</b>	18 mm
<b>Net weight</b>	0.19 kg

## Environment

<b>Product certifications</b>	CE CSA UL
<b>Ambient air temperature for operation</b>	-25...55 °C
<b>Ambient air temperature for storage</b>	-40...70 °C
<b>Vibration resistance</b>	7 gn, amplitude = +/- 1.5 mm (f = 10...55 Hz) conforming to IEC 60068-2-6
<b>Shock resistance</b>	30 gn (duration = 11 ms) conforming to IEC 60068-2-27
<b>IP degree of protection</b>	IP65 double insulation conforming to IEC 60529

## Packing Units

<b>Unit Type of Package 1</b>	PCE
<b>Number of Units in Package 1</b>	1
<b>Package 1 Weight</b>	300 g
<b>Package 1 Height</b>	13 cm
<b>Package 1 width</b>	8.5 cm
<b>Package 1 Length</b>	12 cm
<b>Unit Type of Package 2</b>	S02
<b>Number of Units in Package 2</b>	1
<b>Package 2 Weight</b>	755 g
<b>Package 2 Height</b>	15 cm
<b>Package 2 width</b>	30 cm
<b>Package 2 Length</b>	40 cm

## Offer Sustainability

<b>Sustainable offer status</b>	Green Premium product
<b>REACH Regulation</b>	<a href="#">REACH Declaration</a>
<b>EU RoHS Directive</b>	Pro-active compliance (Product out of EU RoHS legal scope) <a href="#">EU RoHS Declaration</a>
<b>Mercury free</b>	Yes
<b>RoHS exemption information</b>	<a href="#">Yes</a>
<b>Environmental Disclosure</b>	<a href="#">Product Environmental Profile</a>
<b>Circularity Profile</b>	<a href="#">End of Life Information</a>
<b>California proposition 65</b>	WARNING: This product can expose you to chemicals including: Diisononyl phthalate (DINP), which is known to the State of California to cause cancer, and Di-isodecyl phthalate (DIDP), which

## **Contractual warranty**

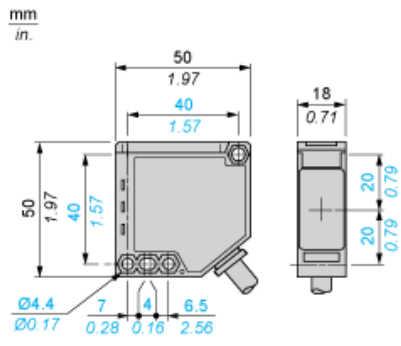
---

<b>Warranty</b>	18 months
-----------------	-----------

---

Dimensions

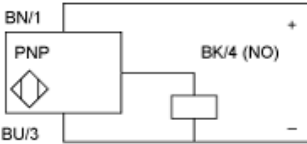
---



**Wiring Schemes**

---

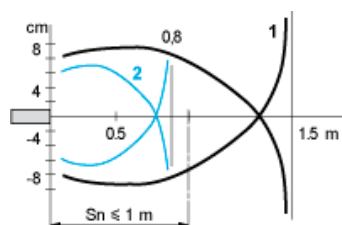
**PNP Outputs**



- BN :** Brown
- BU :** Blue
- BK :** Black

Detection Curves

---



1 : White 90%

2 : Grey 18%

Object 10 x 10 cm